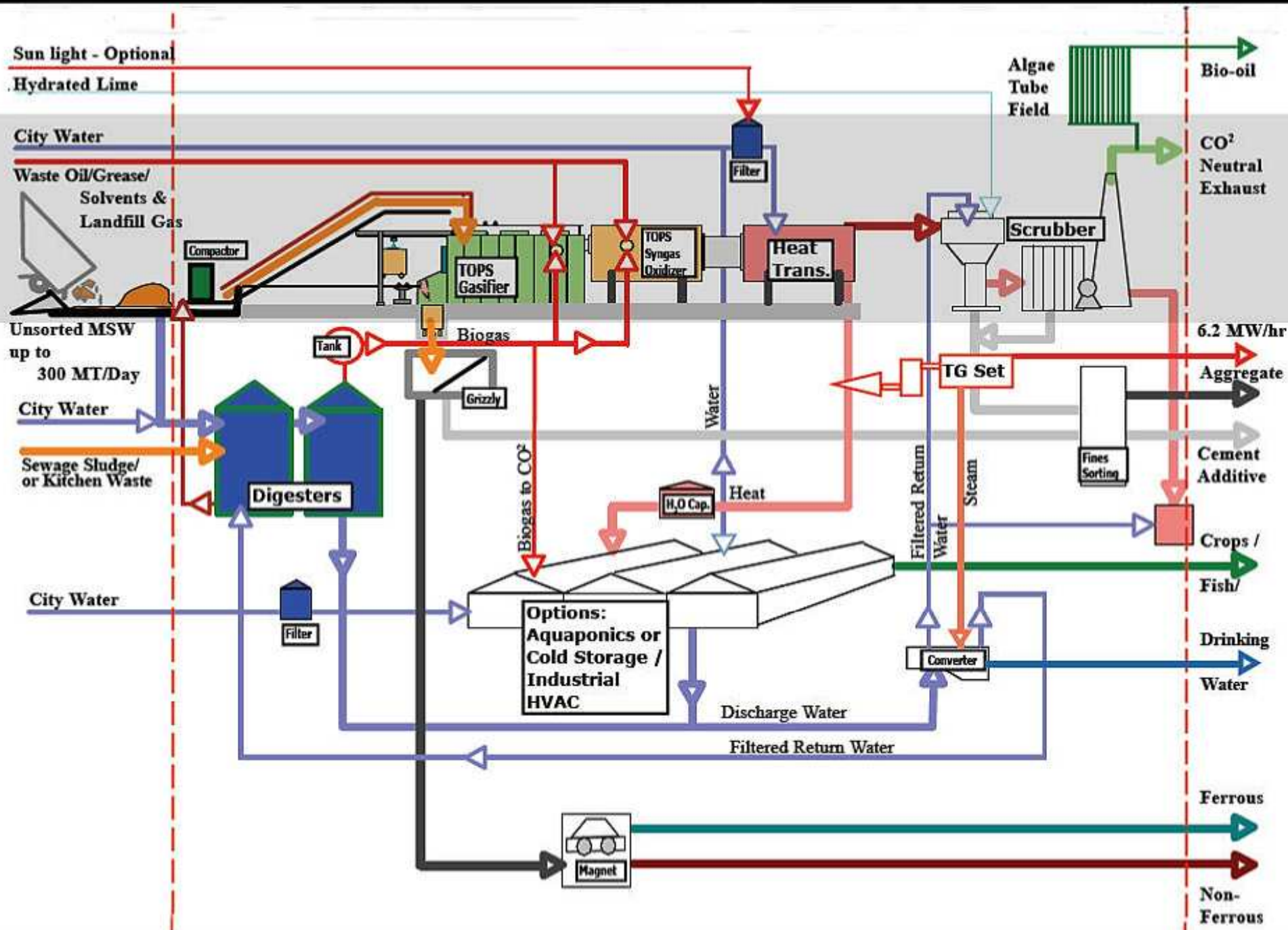


Example of Typical T.O.P.S. Waste to Energy Plant (with optional enhancements)



input

process

output